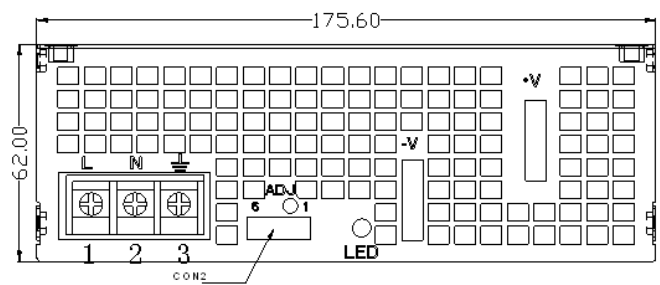
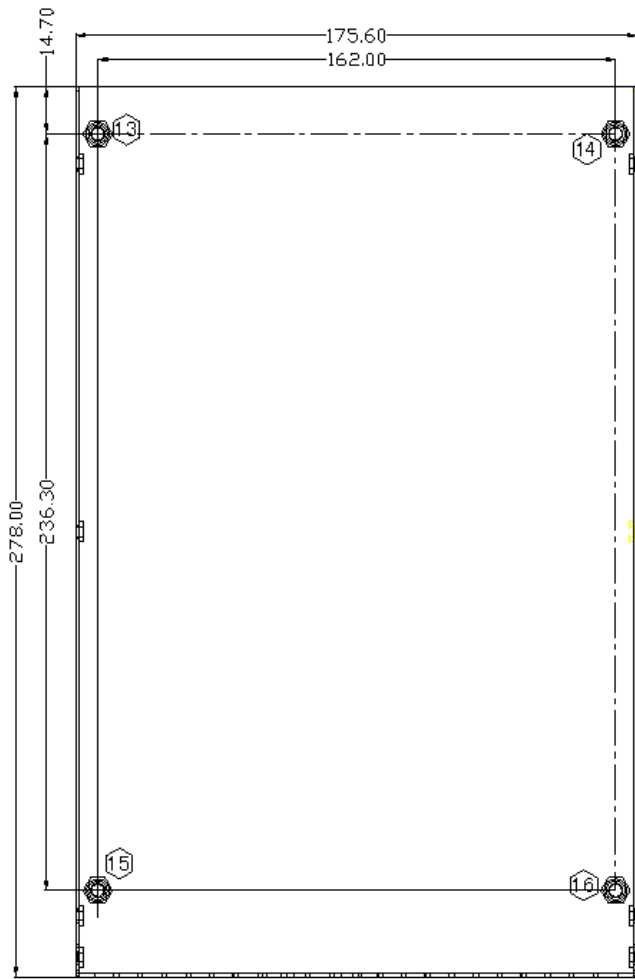


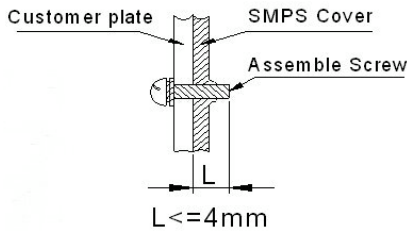
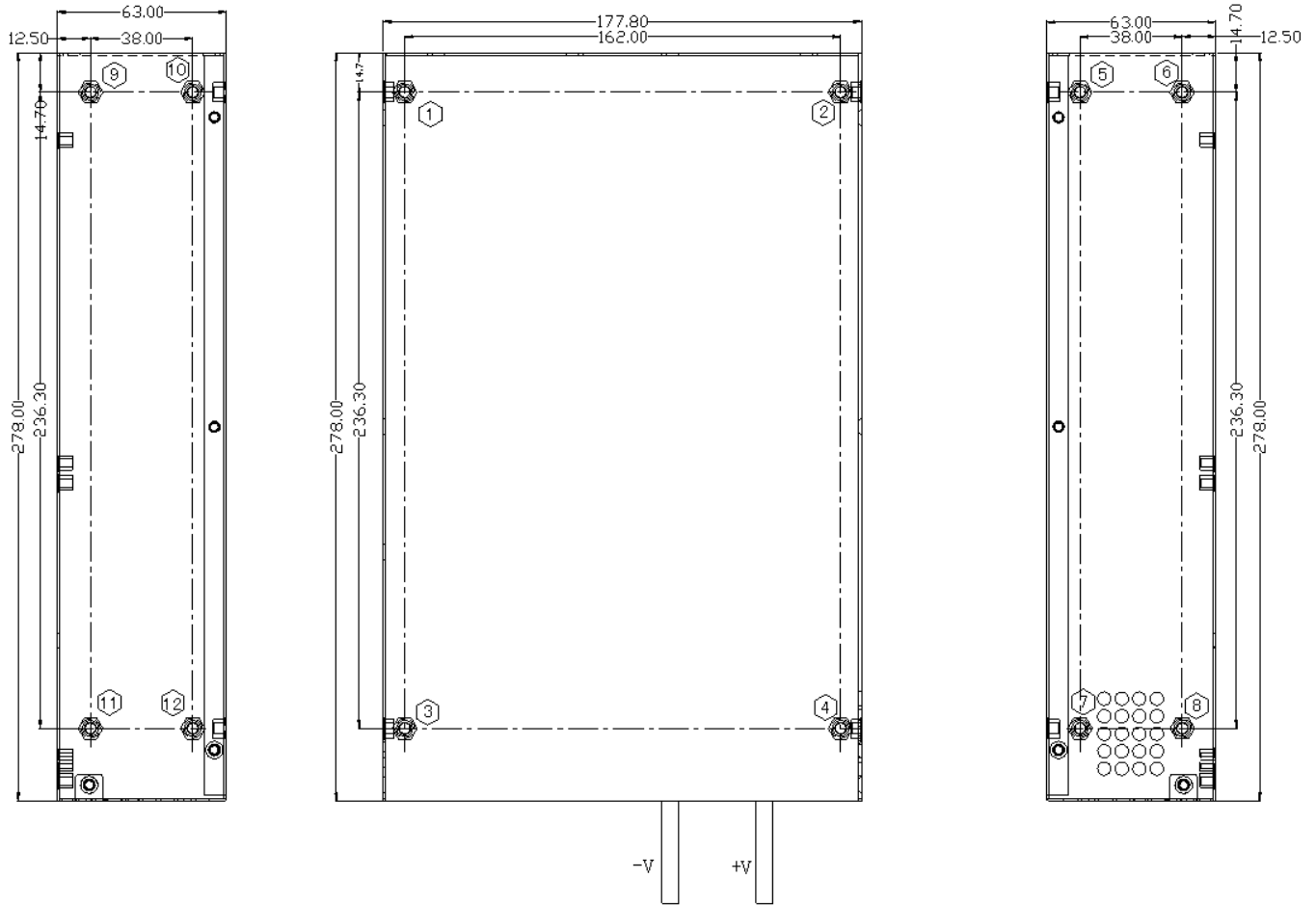

■ Features:

- High AC voltage input (180~264Vac)
- High efficiency, long life and high reliability
- Built-in active PFC function, PF>0.95
- Output protection: OLP/SCP/OTP
- Built in Fan speed control
- Build in DC OK signal
- Wide operating ambient temperature (-20℃~70℃)
- 100% full load burn-in test
- 2 years warranty

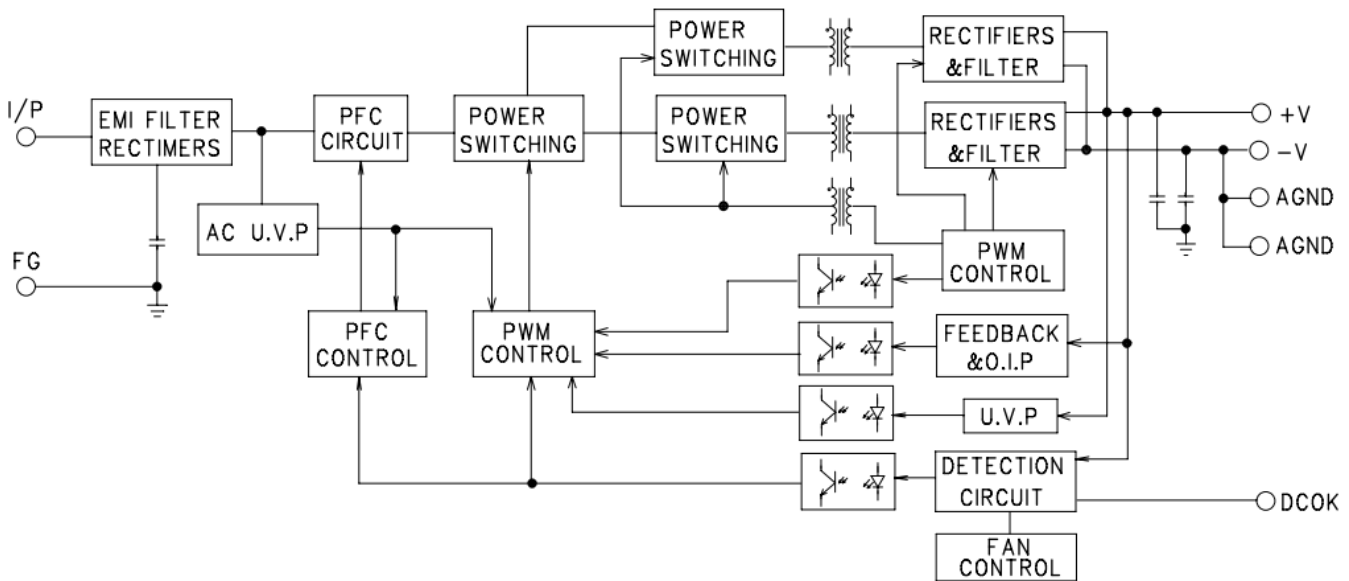
MODEL		PDF-1800-24	
OUTPUT	DC Output		24V
	Rated Current		75A
	Ripple and Noise	0~70C	≤240mV
		Note 2 -20C	≤480mV
	Voltage ADJ. Range		21.6~26.4V
	Voltage Accuracy		±1%
	Line Regulation		±0.5%
	Load Regulation		±1%
	Set-up Time		≤1.5S (220Vac input, Full load)
	Hold up Time		≥10mS (220Vac input, Full load)
	Temperature Coefficient		±0.03%/℃
	Overshoot and Undershoot		<5.0%
INPUT	Voltage Range		180Vac~264Vac
	Frequency Range		47Hz~63Hz
	Power Factor(Typical)		PF≥0.95/230VAC Full Load
	Efficiency (Typical)		≥90%
	AC Current (max.)		≤ 15 A/ 220Vac
	Inrush Current (Typical)		≤20A @220Vac Cold start
	Leakage Current		Input—output: ≤0.25mA Input—PG: ≤3.5mA
PROTECTION	Over Load		85~100A, shut down, re-power on
	Over Temperature		110℃±5℃(detect on Mosfet temperature);shut down,auto recovery after the temperature goes down to 70℃
	Short Circuit		Long-term mode, constant current, auto recovery
ENVIRONMENT	Operating amb. Temp. & Hum.		-20℃~70℃; 20%~90%RH No condensing (refer to derating curve)
	Storage Temp. & Hum.		-20℃~80℃; 10%~90%RH No condensing
SAFETY & EMC (Note 3)	Safety Standards		IEC60950/ UL60950 I; EN60950-1: 2006
	Withstand Voltage		Primary-Secondary:3.0KVac; ≤10mA .Primary-PG:1.5KVac; ≤10mA. Secondary-PG:0.5KVac;≤10mA.
	Isolation Resistance		≥100M ohms
	EMI Conduction&Radiation		Compliance to EN55022 Class A
	Harmonic Current		Compliance to EN61000-3-2,Class D
	EMS Immunity		Compliance to EN61000-4-2,3,4,5,6,8,11; heavy industry level
OTHERS	MTBF (MIL-HDBK-217F)		More than 200,000Hrs (25℃, Full load)
	Dimension (L*W*H)		278×177.8×63mm
	DC OK signal		2.5~5.25V
	Packing		2PCS/CTN, 6.8KGS, 0.04CBM
	Cooling method		Forced air cooling
NOTE	1. All parameters NOT specially mentioned are measured at rated input, rated load and 25℃ of ambient temperature. 2. Measured at 20MHz of bandwidth by using a 12" twisted pair-wire terminated with a 0.1 uF & 47uF parallel capacitor. 3. The SPS is considered a component which will be installed into final equipment. The equipment must be re-confirmed that it still meets EMC directives.		

■ Mechanical Specification Unit:mm





■ Block Diagram



■ Derating curve

