


Features:

- No Load power consumption<0.5W
- Withstand 300VA surge input for 5 sec.
- High Efficiency, High reliability and long life
- Output protections: OLP/OVP/SCP
- Wide operating ambient temperature (-25°C~70°C)
- Operating altitude up to 5000m
- All using 105°C long life electrolytic capacitors.
- PCB soldering side with conformal coating
- 100% full load burn-in test
- 3 years warranty

SPECIFICATION

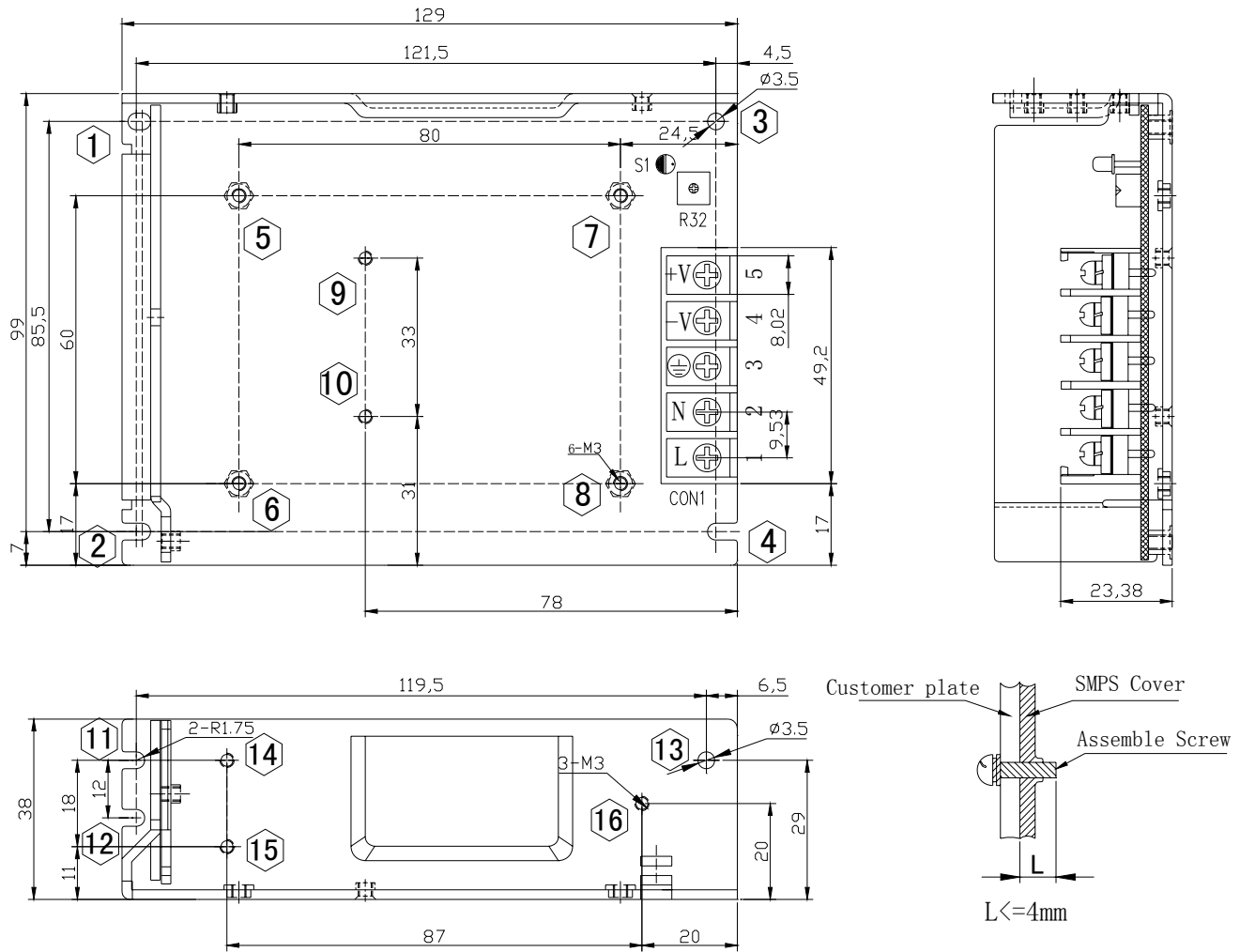
MODEL	PD-75-5	PD-75-12	PD-75-15	PD-75-24	PD-75-48		
OUTPUT	DC Output	5V	12V	15V	24V	48V	
	Rated Current	12A	6A	5A	3.2A	1.6A	
	Current Range <small>Note 1</small>	0~12A	0~6A	0~5A	0~3.2A	0~1.6A	
	Ripple and Noise <small>Note 2</small>	0~70°C	<50mV	<80mV	<80mV	<80mV	<120mV
		-25~0°C	<80mV	<200mV	<200mV	<200mV	<240mV
	Voltage ADJ. Range	4.75~5.5V	11.4~13.2V	14.25~16.5V	22.8~26.4V	45.6~52.8V	
	Voltage Accuracy	±1.0%					
	Line Regulation	±0.5%					
	Load Regulation	±1.0%					
	Set-up Time	≤1S(230Vac input, Full load)					
	Hold up Time	≥20mS(230Vac input, Full load)					
	Temperature Coefficient	±0.03%/°C					
Overshoot and Undershoot	<5.0%						
INPUT	Voltage Range	90Vac~264Vac					
	Frequency Range	47Hz~63Hz					
	Efficiency (Typical)	79%	84%	86%	86.5%	88%	
	AC Current (max.)	<2.5A					
	Inrush Current (Typical)	<60A@230Vac Cold start					
	Leakage Current	Input—output:<0.25mA		Input—PG:<3.5mA		(264Vac input, 63Hz)	
PROTECTION	Over Load	12.6~18A	6.3~9A	5.25~7.5A	3.36~4.8A	1.7~2.43A	
		Protection type: 5V, hiccup mode; others, constant power, Auto recovery					
	Over Voltage	5.5~7.5V	13.2~18V	16.5~22.5V	26.4~36V	52.8~72V	
		Protection type: constant voltage, auto recovery					
Short Circuit	Long-term mode, auto recovery						
ENVIRONMENT	Operating amb. Temp. & Hum.	-25°C~70°C; 20%~90%RH No condensing((refer to the derating curve)					
	Storage Temp. & Hum.	-40°C~85°C; 10%~95%RH No condensing					
SAFETY & EMC <small>Note 3</small>	Safety Standards	UL60950-1; EN60950-1: 2006					
	Withstand Voltage	Primary-Secondary:3.0KVac/ 10mA .Primary-PG:1.5KVac/ 10mA. Secondary-PG:0.5KVDC/ 10mA.					
	Isolation Resistance	100M ohms					
	EMI Conduction& Radiation	Compliance to EN55022 Class B / FCC Part15 B					
	Harmonic Current	Compliance to EN61000-3-2, Class A					
	EMS Immunity	Compliance to EN61000-4-2,3,4,5,6,8,11;					
OTHERS	MTBF (MIL-HDBK-217F)	More than 200,000Hrs (25°C, Full load)					
	Dimension (L*W*H)	129×98×38mm					
	Packing	30PCS/CTN, 14.2KGS, 0.044CBM					
	Cooling method	Cooling by free air convection					

NOTE

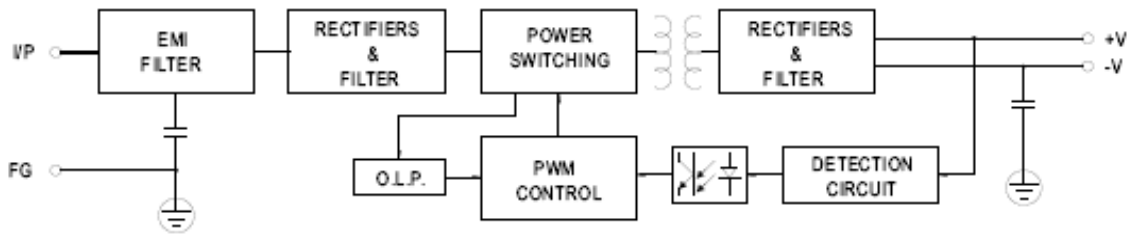
1. All parameters NOT specially mentioned are measured at rated input, rated load and 25°C of ambient temperature.
2. Measured at 20MHz of bandwidth by using a 12" twisted pair-wire terminated with a 0.1 uF & 47uF parallel capacitor.
3. The SPS is considered a component which will be installed into final equipment. The equipment must be re-confirmed that it still meets EMC directives.
4. Powerld offer accessories for Din-35 rail bar. Please contact sales staff for details.

Mechanical Specification

Unit: mm



Block Diagram



Derating Curve

