


**Features:**

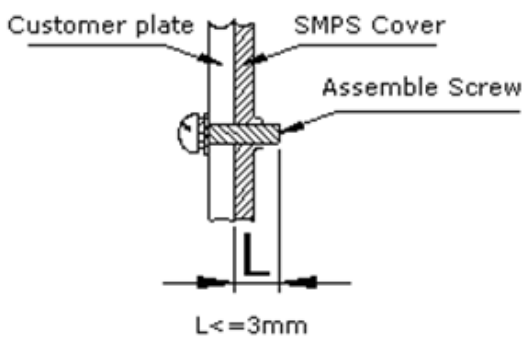
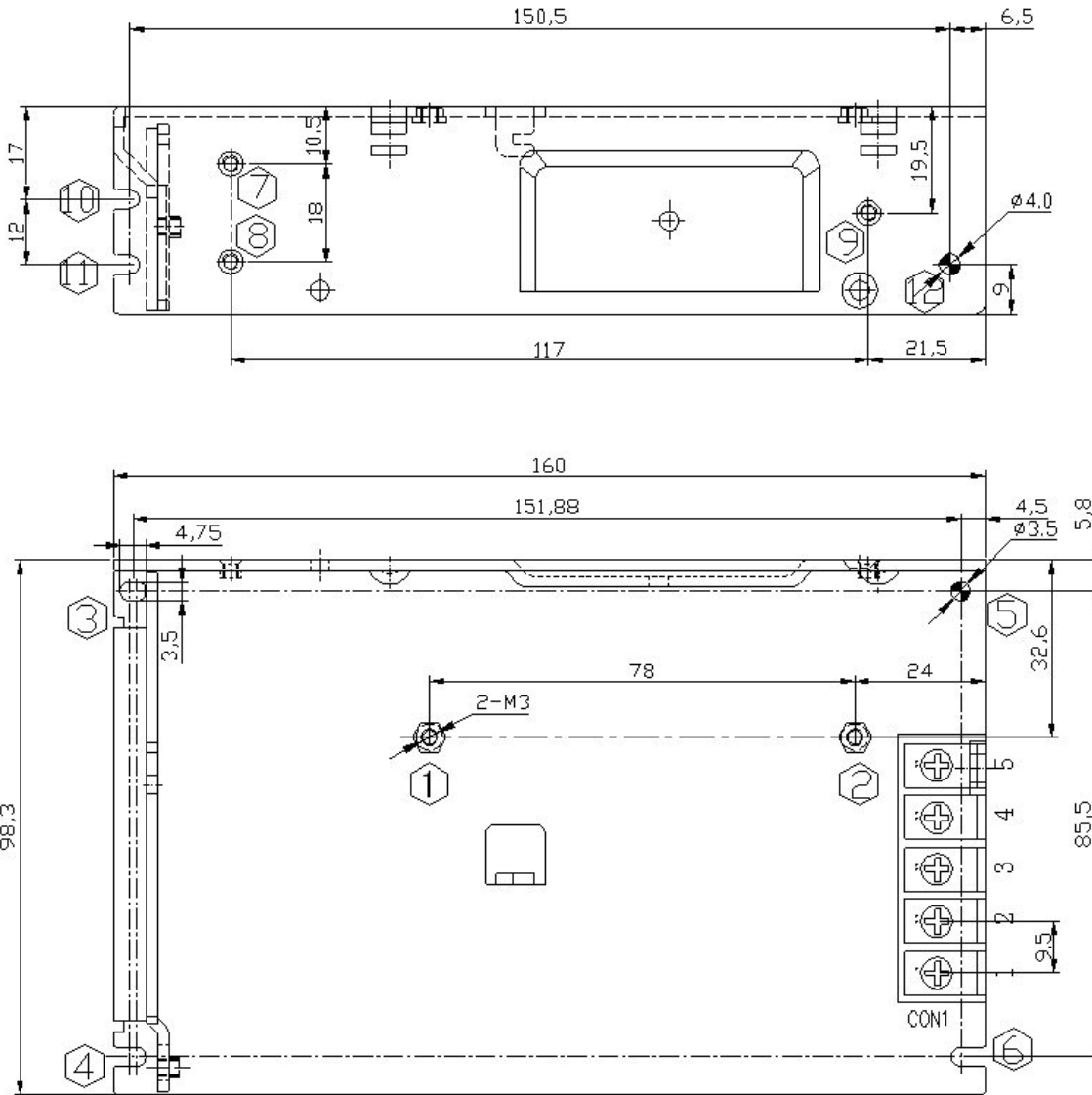
- No Load power consumption<0.5W
- Universal AC input range(90~264Vac)
- High efficiency, long life and high reliability
- Withstand 300Vac surge input for 5 sec.
- Output protections: OVP/OLP/SCP
- Wide operating ambient temp (-25℃~70℃)
- Altitude up to 5000m
- All using 105℃ long life electrolytic capacitors.
- 100% full load burn-in test
- Suitable for critical applications
- 2 years warranty

**SPECIFICATION**

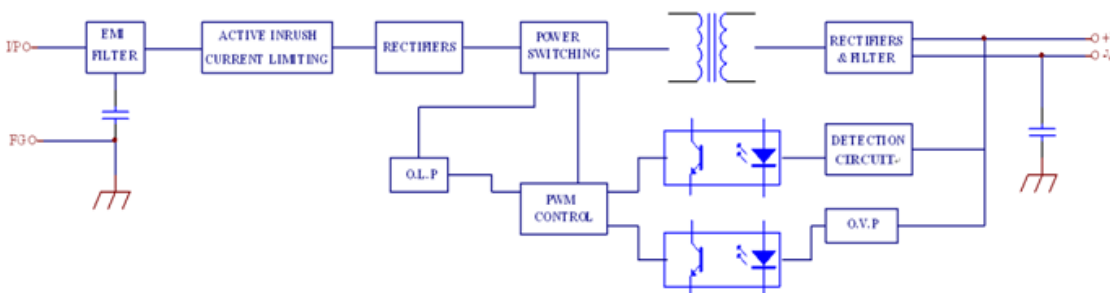
MODEL	ABS-75-5		ABS-75-12		ABS-75-24		ABS-75-48		
OUTPUT	DC Output	5V		12V		24V		48	
	Rated Current	12A		6A		3.2A		1.62A	
	Current Range	Note 1 0~12A		0~6A		0~3.2A		0~1.62A	
	Ripple and Noise	0~70℃		<50mV		<80mV		<80mV	
		Note 2 -20℃		<150mV		<200mV		<200mV	
	Voltage ADJ. Range	4.75V-5.5V		10.8V-13.2V		21.6V-26.4V		43.2~52.8V	
	Voltage Accuracy	±1.0%							
	Line Regulation	±0.5%							
	Load Regulation	±1.0%							
	Set-up Time	≤1S /230Vac input, Full load)							
	Hold up Time	≥10mS(120Vac input, Full load) ; ≥20mS(230Vac input, Full load)							
	Temperature Coefficient	±0.03%/℃							
	Overshoot and Undershoot	<5.0%							
INPUT	Voltage Range	90Vac~264Vac							
	Frequency Range	47Hz~63Hz							
	Efficiency ( Typical)	≥79%		≥84%		≥86.5%		≥88%	
	AC Current (max.)	<2.5 A							
	Inrush Current (Typical)	< 60A@264Vac Cold start							
	Leakage Current	Input—output:<0.25mA				Input—PG:<3.5mA			
PROTECTION	Over Load	12.6~18A		6.3~9A		3.36~4.8A		1.701~2.43A	
		Protection type: Constant power, Auto recovery							
	Over voltage	5.5~7.0V		13.2~15.6V		26.4~32.4V		52.8~62.4V	
		Protection type: Constant voltage, Auto recovery							
Shorted Circuit	Long-term mode, auto recovery								
ENVIRONMENT	Operating amb. Temp. & Hum.	-25℃~70℃; 20%~90%RH No condensing							
	Storage Temp. & Hum.	-40℃~85℃; 10%~95%RH No condensing							
SAFETY & EMC Note 3	Safety Standards	UL60950-1 2 <sup>nd</sup> Ed; IEC 60950-1:2005(2 <sup>nd</sup> Ed) ;EN60950-1:2006							
	Withstand Voltage	Primary-Secondary:3.0KVac; ≤10mA .Primary-PG:1.5KVac; ≤10mA. Secondary-PG:0.5KVDC; ≤10mA.							
	Isolation Resistance	≥100M ohms							
	EMC Emission	Compliance to EN55022 Class B							
	Harmonic Current	Compliance to EN61000-3-2							
EMC Immunity	Compliance to EN61000-4-2,3,4,5,6,8,11;heavy industry level								
OTHERS	MTBF (MIL-HDBK-217F)	More than 200,000Hrs (25℃, Full load)							
	Dimension (L*W*H)	160×98.3×38mm							
	Packing	20pcs/CTN, 13.6Kgs/CTN, 0.04cbm							
	Cooling method	Cooling by free air convection							
NOTE	1. All parameters NOT specially mentioned are measured at rated input, rated load and 25℃ of ambient temperature. 2. Measured at 20MHz of bandwidth by using a 12" twisted pair-wire terminated with a 0.1 uF & 10uF parallel capacitor. 3. The power supply is considered as a component which will be installed into a final equipment. The final equipment must be re-confirmed that it still meets EMC directives. For guidance on how to perform these EMC tests, please refer to "EMI testing of component power supplies" on <a href="http://www.powerld.com.cn">http://www.powerld.com.cn</a> .								

**Mechanical Specification**

Unit: mm Tolerance: ±1mm

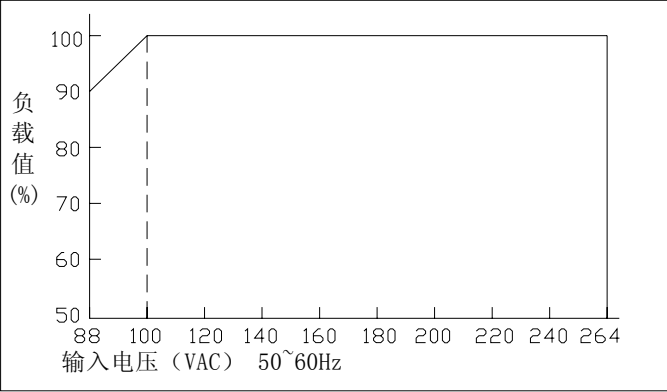


**Block Diagram**



**Derating Curve**

输出负载降额与输入电压关系



输出负载降额与环境温度关系

