


Features:

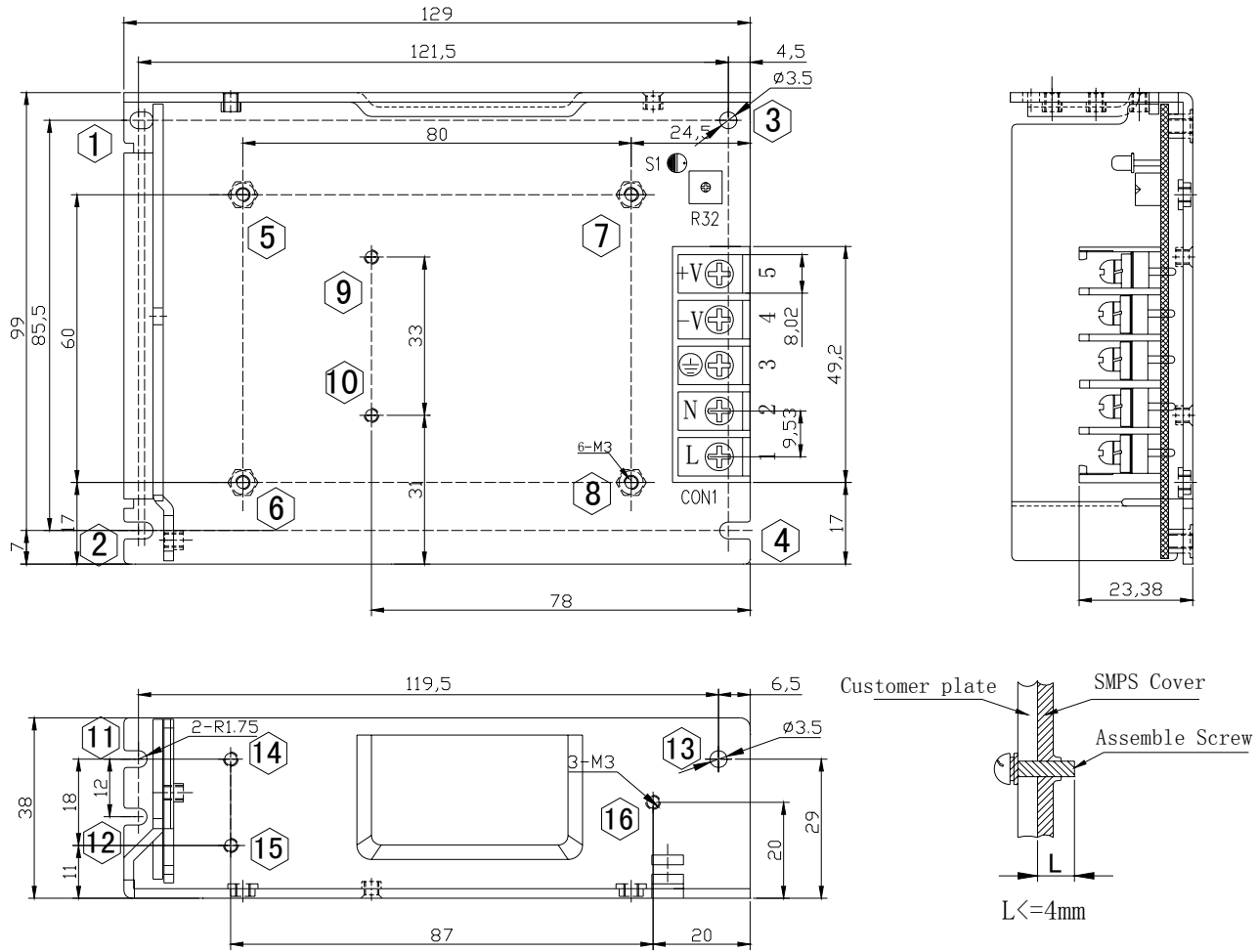
- No Load power consumption<0.5W
- High AC input
- Miniature size,high power density,high efficiency,long life and high reliability
- Withstand 300VA surge input for 5 sec.
- Output protections: OLP/OVP/SCP
- Wide operating ambient temp (-25°C~70°C), 100% @50°C、70%@70°C
- Operating altitude up to 5000M
- All using 105°C long life electrolytic capacitors.
- 100% full load burn-in test
- Easy assembling from top side
- PCB soldering side with conformal coating
- Suitable for critical applications
- 3 years warranty

SPECIFICATION

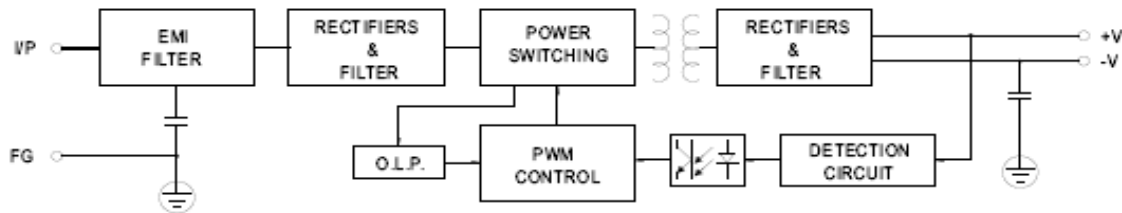
MODEL		PD-H100S24
OUTPUT	DC Output	24V
	Rated Current	4A
	Current Range	Note 1 0~4A
	Ripple and Noise	Note 1 0°C~70°C 80mV
		Note 2 -25°C~0°C 200 mV
	Voltage ADJ. Range	22.8~26.4V
	Voltage Accuracy	±1.0%
	Line Regulation	±0.5%
	Load Regulation	±1.0%
	Set-up Time	<1.0S (230Vac input, Full load)
	Hold up Time	>20mS(230Vac input, Full load)
	Temperature Coefficient	±0.03%/°C
Overshoot and Undershoot	<5.0%	
INPUT	Voltage Range	176Vac~264Vac
	Frequency Range	47Hz~63Hz
	Efficiency (Typical)	86.5%
	AC Current (max.)	<1.5A(max)
	Inrush Current (Typical)	<60A@264Vac Cold start
	Leakage Current	Input—output:<3.5mA Input—PG:<0.25mA
PROTECTION	Over Load	105%~150% of rated output current, constant power
	Over power	105%~150% of rated output power, constant power
	Over Voltage	115%~150% of rated output voltage, Constant Voltage
	Short Circuit	Long-term mode, auto recovery
ENVIRONMENT	Operating amb. Temp. & Hum.	-25°C~70°C; 20%~90%RH No condensing (refer to the derating curve)
	Storage Temp. & Hum.	-40°C~85°C; 10%~95%RH No condensing
SAFETY & EMC Note 3	Safety Standards	EN60950-1: 2006
	Withstand Voltage	Primary-Secondary:3.0KVac; ≤10mA .Primary-PG:1.5KVac; ≤10mA. Secondary-PG:0.5KVDC;≤10mA.
	Isolation Resistance	≥100M ohms
	EMI Conduction&Radiation	Compliance to EN55022 / FCC PART15 ClassB
	Harmonic Current	Compliance to EN61000-3-2,-3 Class A
OTHERS	EMS Immunity	Compliance to EN61000-4-2,3,4,5,6,8,11;
	MTBF (MIL-HDBK-217F)	More than 200,000Hrs (25°C, Full load)
	Dimension (L*W*H)	129×98×38mm
	Packing	30PCS/CTN, 14.2KGS, 0.044CBM
NOTE	Cooling method	Cooling by free air convection
	1. All parameters NOT specially mentioned are measured at rated input, rated load and 25°C of ambient temperature. 2. Measured at 20MHz of bandwidth by using a 12" twisted pair-wire terminated with a 0.1 uF & 10uF parallel capacitor. 3. The SPS is considered a component which will be installed into final equipment. The equipment must be re-confirmed that it still meets EMC directives. 4. Powerld offer accessories for Din-35 rail bar. Please contact sales staff for details.	

Mechanical Specification

Unit: mm



Block Diagram



Derating Curve

