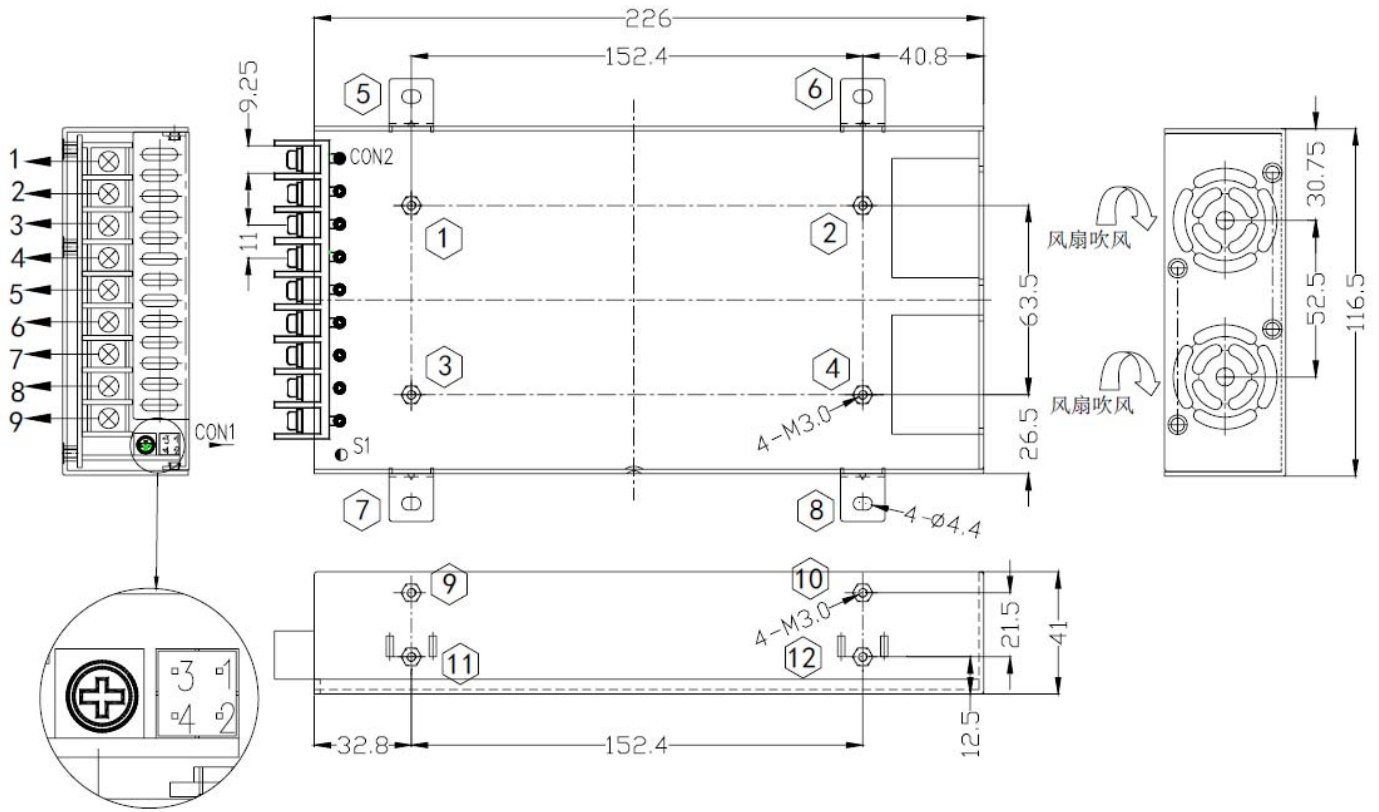



■ Features:

- Universal AC input (90~264Vac)
- Built-in active PFC function, PF>0.96
- Using ZVS technology to reduce power dissipation
- Output protection: OVP/OLP/SCP/OPP/OTP
- Built in Fan speed control
- Built in AC inrush current limiting circuit(<20A)
- Build in constant current limiting circuit
- Built in Remote Sense Function
- Build in DC-OK / remote sense signal
- Wide operating ambient temperature (-30℃~70℃)
- PCB with conformal coating
- 1 U low profile,41mm
- 3 years warranty

MODEL		PDF-800-24	PDF-800-36	PDF-800-48
OUTPUT	DC Output	24V	36V	48V
	Rated Current	33A	22A	16.5A
	Ripple and Noise Note 2	≤200mV	≤200mV	≤200mV
	Voltage ADJ. Range	21.6~26.4V	32.4~39.6V	43.2~52.8V
	Voltage Accuracy	±2%		
	Line Regulation	±0.5%		
	Load Regulation	±2%		
	Set-up Time	≤3S (220Vac input, Full load)		
	Hold up Time	≥8mS (220Vac input, Full load)		
	Temperature Coefficient	±0.03%/℃		
	Overshoot and Undershoot	<5.0%		
INPUT	Voltage Range	90Vac~264Vac		
	Frequency Range	47Hz~63Hz		
	Power Factor(Typical)	PF ≥0.96/230VAC	PF ≥0.98/115VAC	Full Load
	Efficiency (Typical)	≥89%	≥89%	≥89%
	AC Current (max.)	≤ 12 A		
	Inrush Current (Typical)	≤20A @220Vac Cold start		
	Leakage Current	Input—output: ≤0.25mA	Input—PG: ≤3.5mA	
INPUT PROTECTION	Low-voltage protection point	75~85Vac, shut down.		
	Low-voltage recovery point	80~90Vac, Auto recovery		
	Over-voltage protection point	280~295Vac, shut down.		
	Over voltage recovery point	275~285Vac, Auto recovery		
OUTPUT PROTECTION	Over Current	36.3~44.55A	24.2~29.7A	18.15~22.3A
		Protection type: Constant current, auto recovery		
	Over power	871.2~1069.2W	871.2~1069.2W	871.2~1069.2W
		Protection type: Constant current, auto recovery		
	Over Voltage	27.6~36V	41~45V	55.2~60V
		Protection type: Constant voltage, auto recovery		
Over Temperature	105℃±5℃(detect on Mosfet temperature);shut down, auto recovery after the temperature goes down to 75℃			
Short Circuit	Long-term mode, constant current, auto recovery			
ENVIRONMENT	Operating amb. Temp. & Hum.	-30℃~70℃; 20%~90%RH No condensing (refer to derating curve)		
	Storage Temp. & Hum.	-40℃~85℃; 10%~95%RH No condensing		
SAFETY & EMC (Note 3)	Safety Standards	UL60950-1; EN62368-1		
	Withstand Voltage	Primary-Secondary: 3.0KVac/10mA .Primary-PG:1.5KVac/10mA. Secondary-PG: 0.5KVac/10mA.		
	Isolation Resistance	10M ohms		
	EMI Conduction & Radiation	Compliance to EN55032 Class B		
	Harmonic Current	Compliance to EN61000-3-2,Class D		
OTHERS	EMS Immunity	Compliance to EN61000-4-2,3,4,5,6,8,11;		
	MTBF (MIL-HDBK-217F)	More than 200,000Hrs (25℃, Full load)		

	Dimension (L*W*H)	226×116.5×41mm
	Packing	12PCS/CTN, 16.8KGS, 0.04CBM
	Cooling method	Forced air cooling (Built-in fan, the fan speed is controlled by load and internal temp.)
	DC OK	4-6V (when output voltage is normal)
NOTE	<p>1. All parameters NOT specially mentioned are measured at rated input, rated load and 25℃ of ambient temperature.</p> <p>2. Measured at 20MHz of bandwidth by using a 12" twisted pair-wire terminated with a 0.1 uF & 47uF parallel capacitor.</p> <p>3. The power supply is considered as a component which will be installed into a final equipment. The final equipment must be re-confirmed that it still meets EMC directives. For guidance on how to perform these EMC tests, please refer to "EMI testing of component power supplies" on http://www.powerld.com.cn.</p>	

■ Mechanical Specification Unit: mm

1. Signal connector

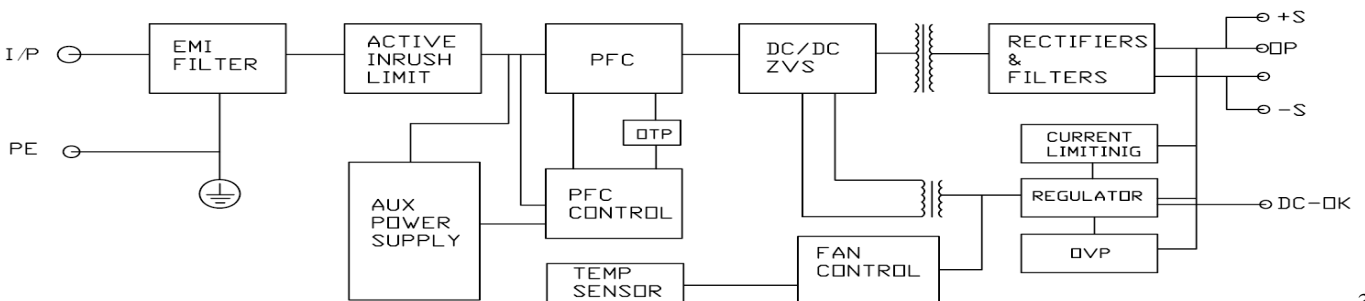
No.	Function	Connector Specs
1	S+	2008-2*2p
2	S-	
3	DC-OK	
4	GND	

2. AC input connector

No.	Function	Wire specs	Torque max
1	L	22-12AWG	12Kgf.cm
2	N		
3	PE		

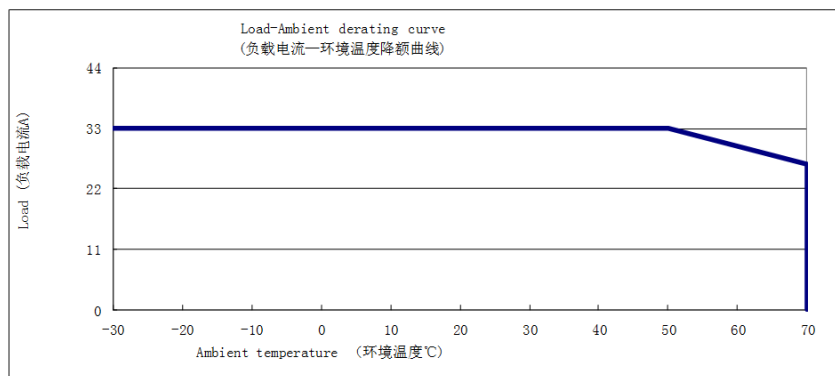
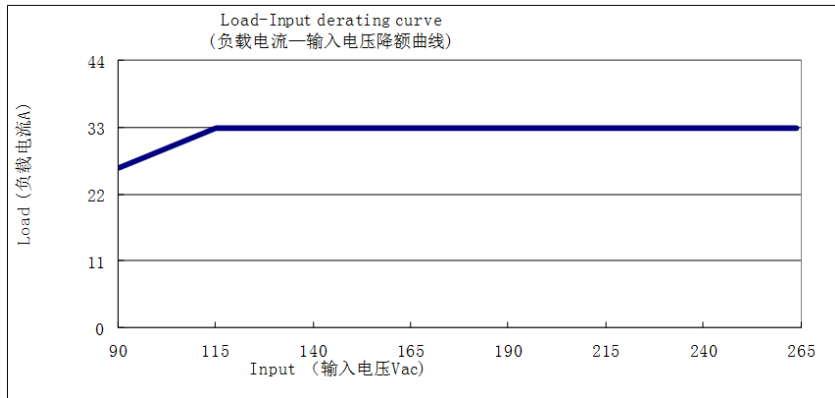
3. DC output connector

No.	Function	Wire specs	Torque max
4/5/6	V+	22-12AWG	12Kgf.cm
7/8/9	V-		

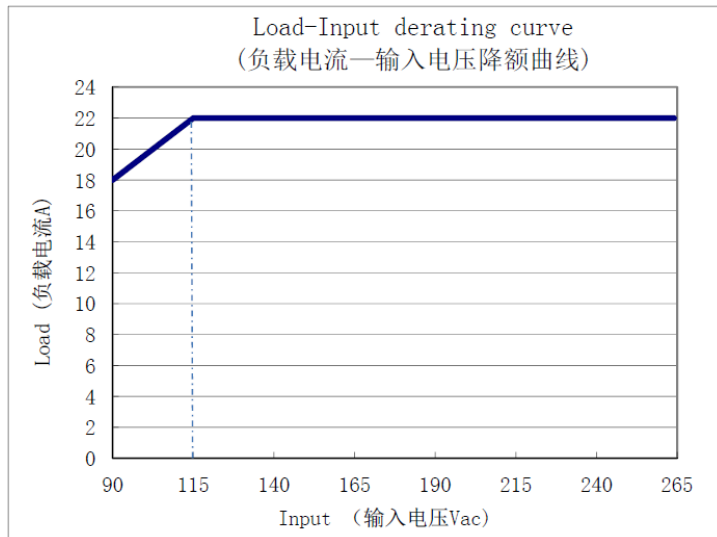
■ Block Diagram


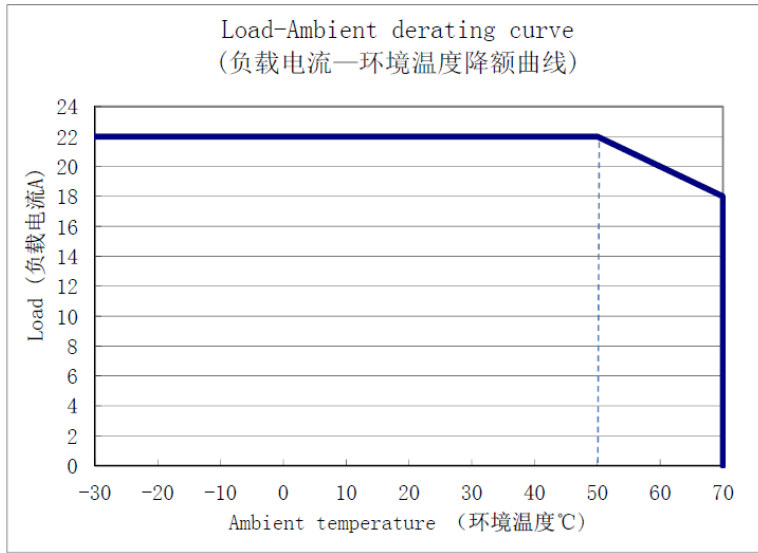
Derating curve

PDF-800-24



PDF-800-36





PDF-800-48

