
Features:

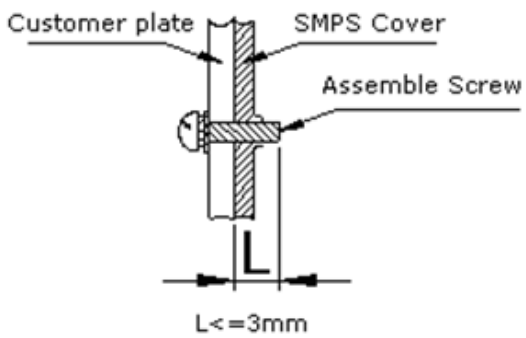
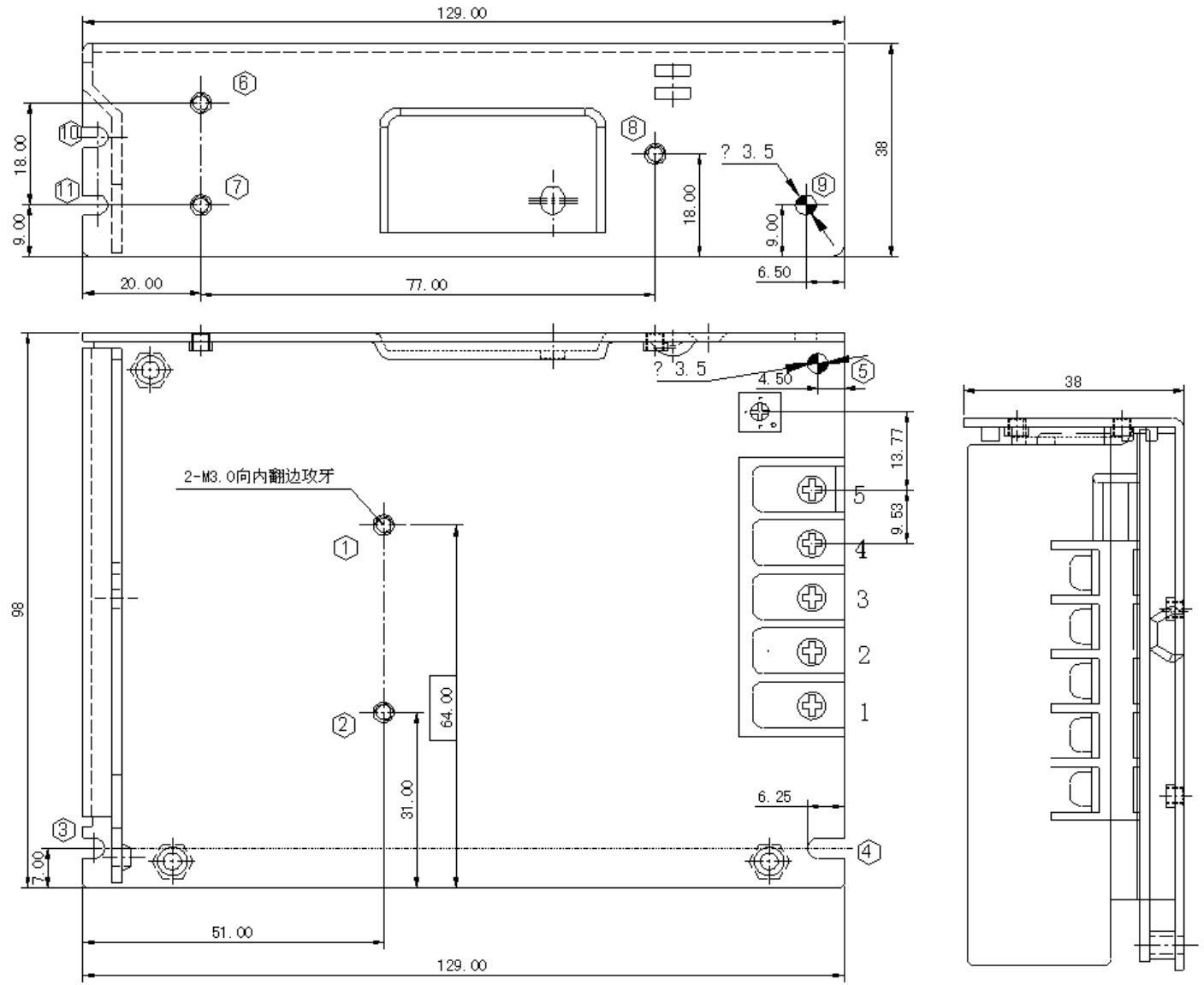
- No Load power consumption<0.5W
- Universal AC input range(88~264Vac)
- High efficiency, long life and high reliability
- Withstand 300Vac surge input for 5 sec.
- Output protections: OVP/OLP/SCP
- Wide operating ambient temp (-25℃~70℃)
- Altitude up to 5000m
- All using 105℃ long life electrolytic capacitors.
- 100% full load burn-in test
- Suitable for critical applications
- 2 years warranty

SPECIFICATION

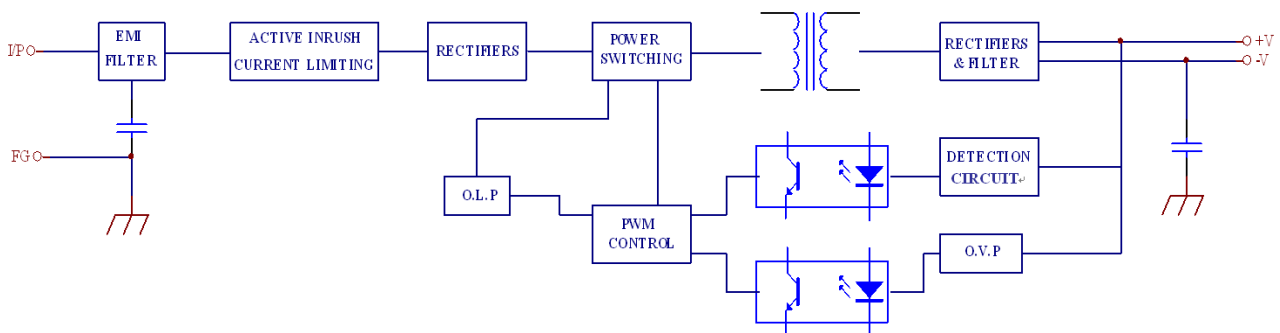
MODEL		ABS-50-5	ABS-50-12	ABS-50-24	ABS-50-48	
OUTPUT	DC Output	5V	12V	24V	48	
	Rated Current	8A	4.2A	2.2A	1.12A	
	Current Range	Note 1 0~8A	0~4.2A	0~2.2A	0~1.12A	
	Ripple and Noise	0~70℃	<80mV	<120mV	<200mV	<200mV
		Note 2 -20℃	<160mV	<300mV	<300mV	<500mV
	Voltage ADJ. Range	4.75V-5.5V	10.8V-13.2V	21.6V-26.4V	43.2~52.8V	
	Voltage Accuracy	±3.0%	±1.0%	±1.0%	±1.0%	
	Line Regulation	±0.5%				
	Load Regulation	±1.0%				
	Set-up Time	≤1S /230Vac input, Full load) ; ≤2S /120Vac input, Full load)				
	Hold up Time	≥10mS(120Vac input, Full load) ; ≥20mS(230Vac input, Full load)				
	Temperature Coefficient	±0.03%/℃				
	Overshoot and Undershoot	<5.0%				
INPUT	Voltage Range	88Vac~264Vac				
	Frequency Range	47Hz~63Hz				
	Efficiency (Typical)	230Vac	≥80%	≥84.5%	≥87%	≥88.5%
		115Vac	≥78%	≥82.5%	≥85%	≥86.5%
	AC Current (max.)	< 1.3 A				
	Inrush Current (Typical)	< 45A@230Vac Cold start				
Leakage Current	Input—output:<0.25mA Input—PG:<3.5mA					
PROTECTION	Over Load	8.4~12A	4.41~6.3A	2.31~3.3A	1.155~1.65A	
		Protection type: Constant power, Auto recovery(ABS-50-5,hiccup mode)				
	Over voltage	5.5~7.5V	13.8~18V	27.6~36V	55.2~72V	
Protection type: Constant voltage, Auto recovery						
Shorted Circuit	Long-term mode, auto recovery					
ENVIRONMENT	Operating amb. Temp. & Hum.	-25℃~70℃; 20%~90%RH No condensing				
	Storage Temp. & Hum.	-40℃~85℃; 10%~95%RH No condensing				
SAFETY & EMC Note 3	Safety Standards	UL60950-1 2 nd Ed; IEC 60950-1:2005(2 nd Ed) ;EN60950-1:2006				
	Withstand Voltage	Primary-Secondary:3.0KVac; ≤10mA .Primary-PG:1.5KVac; ≤10mA. Secondary-PG:0.5KVDC; ≤10mA.				
	Isolation Resistance	≥100M ohms				
	EMC Emission	Compliance to EN55022 Class B				
	EMC Immunity	Compliance to EN61000-4-2,3,4,5,6,8,11; heavy industry level				
OTHERS	MTBF (MIL-HDBK-217F)	More than 200,000Hrs (25℃, Full load)				
	Dimension (L*W*H)	129×98×38mm				
	Packing	30pcs/CTN, 14.2Kgs/CTN, 0.04cbm				
	Cooling method	Cooling by free air convection				
NOTE	1. All parameters NOT specially mentioned are measured at rated input, rated load and 25℃ of ambient temperature. 2. Measured at 20MHz of bandwidth by using a 12" twisted pair-wire terminated with a 0.1 uF & 10uF parallel capacitor. 3. The power supply is considered as a component which will be installed into a final equipment. The final equipment must be re-confirmed that it still meets EMC directives. For guidance on how to perform these EMC tests, please refer to "EMI testing of component power supplies" on http://www.powerld.com.cn .					

Mechanical Specification

Unit: mm Tolerance: ±1mm

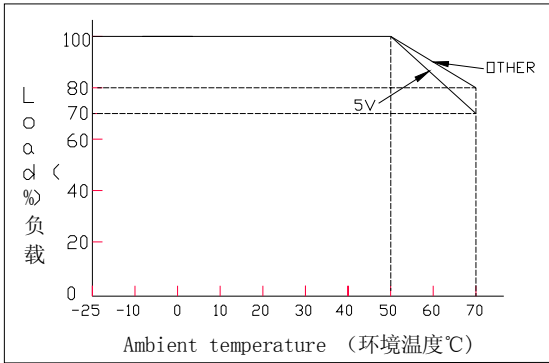


Block Diagram



■ **Derating Curve**

Load-Ambient derating curve
(负载电流—环境温度降额曲线)



Load-Input derating curve
(负载电流—输入电压降额曲线)

$T_a = 25^\circ\text{C}$

